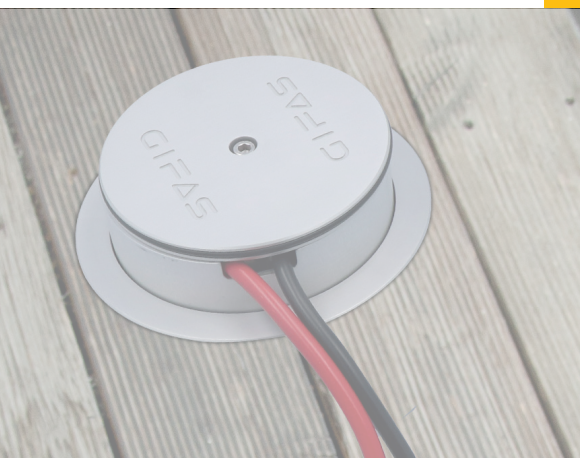


SYSTEMATIC QUALITY

Floor socket outlets



Catalogue



GIFAS
ELECTRIC

02B

Introduction

Selection / Construction

FONTO in comparison

Pages 4 - 7

Webshop



Page 4

Introduction



Page 5

Overview FONTO



Pages 6 - 7

FONTO with hinged cover with cover removable

Pages 8 - 17

FONTO 2000



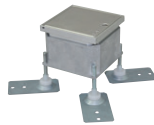
Page 8

FONTO 2005



Page 9

FONTO 4290



Page 10

FONTO 4295



Page 11

FONTO 4301



Page 12

FONTO 4308



Page 13

FONTO with screw cap Inserts Applications

Pages 18 - 23

FONTO 4970W



Page 18

FONTO 5000 / FONTO 5000.R



Page 19

FONTO Inserts



Page 20

Applications FONTO



Pages 21 - 23

MASSO in comparison MASSO with screw cap

Pages 24 - 30

Overview MASSO



Pages 24 - 25

MASSO 3000.2



Page 26

MASSO 4000



Page 27

MASSO 4010



Page 28

MASSO 8000



Page 29

MASSO 8010



Page 30

MASSO Applications

Page 31

Applications MASSO



Page 31

FONTO 8301

FONTO 8308

FONTO 9301

FONTO 9308



Page 14



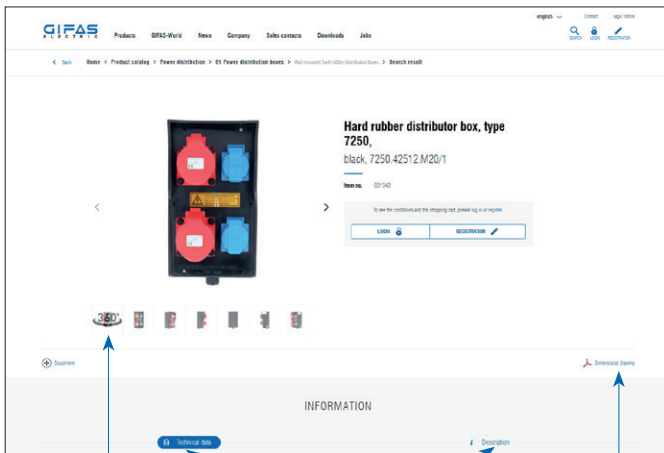
Page 15



Page 16



Page 17



360° images

Technical data/Description

Technical drawing/
information



The GIFAS website offers an extensive assortment for customers from trade and industry. The simple and customer-friendly interface quickly takes you to the desired product. Take the plunge and have direct access to more than 3'000 articles.

► Go to the website: www.gifas.ch

Your benefits

- download CAD drawings, electrical diagrams and other product information
- customised solutions
- practical examples
- product documentation

GIFAS-World

We will guide you through the GIFAS World on our website with animated situations at the workplace and at home. Our advanced product solutions are used in the most diverse areas - roads, railways, hospitals, sewage plants or wherever electricity, light and safety are required. The areas of application are numerous and varied. Let us inspire you! Click on www.gifas.ch/world and immerse yourself in the all-embracing landscape of the GIFAS World.



Areas of application

The stylish and robust aluminium floor socket outlets from GIFAS-ELECTRIC are used anywhere where a high-class design, top quality and an appropriate load-carrying capacity are required:

- Shopping centres
- Congress and event halls
- Hotels, canteen kitchens
- Showrooms (e.g. for cars)
- Museums
- Airports
- Railway stations
- various industrial applications
- etc.

All models are suitable for drive-over and are used on dry or wet-cleaned floors according to type and use.

The most important criteria for selection of the right floor socket outlet:

1. Place of installation

Most GIFAS floor socket outlets are designed for indoor use or for weather-protected outdoor use. Please refer to our extensive range of underfloor distributor systems for unprotected outdoor applications (www.gifas.ch).

2. Equipment

GIFAS floor socket outlets can be equipped in many different ways. Single or multiple sockets, RJ45, TV or USB connections are possible. Our catalogue shows the most popular models. Please contact us for special requirements.

3. Load capacity

GIFAS floor socket outlets can be loaded from 20 kN (2 tonne) to 40 kN (4 tonnes) depending on the type. The load capacity of the floor socket outlet should always be considered in conjunction with the floor structure.

In accordance with EN 50085, underfloor distributor systems may not support higher loads than their surrounding floor construction. The load-bearing capacity must always be considered in conjunction with the floor structure, the floor covering and the workmanship of the installation.

4. Type of floor cleaning

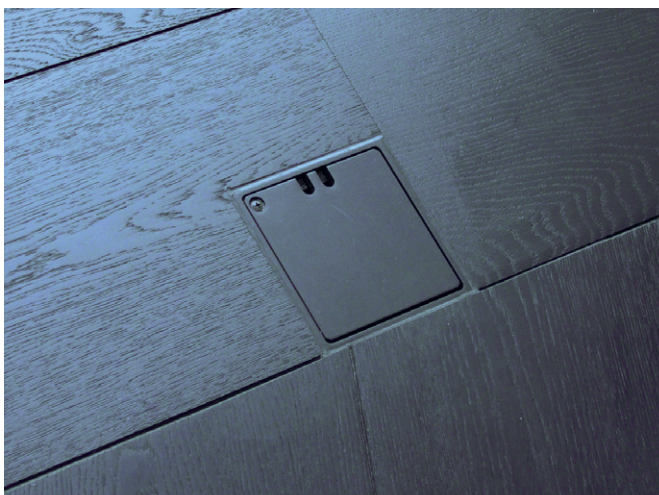
It is essential to know whether wet or dry cleaning is used, in order to be able to select the correct floor socket outlet. IP20 is sufficient if the floor is cleaned dry or with a little water; IP65 to IP67 is required if wet sweeping devices are used.

5. Cover design

There are hinged covers, removable covers without hinges or screw lids with (FONTO) or without (MASSO) water protection tube. Depending on the requirement, the covers are available with or without a cable outlet and also with a fillable cover in some cases.

6. Design requirements











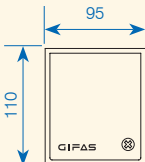
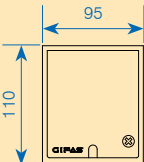
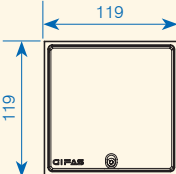
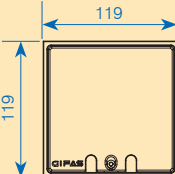
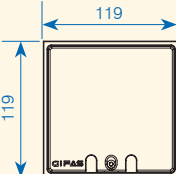
The floor socket outlets are available in ground natural or plain anodised as standard. On request, we will also be pleased to clarify details of customer-specific colour variants (RAL colour spectrum).



FONTO in Museum



FONTO with parquet floor, private house

Models	FONTO 2000	FONTO 2005	FONTO 4290	FONTO 4295	FONTO 4301 FONTO 4308
					
					
					
Technical data					
Areas of application	Indoor	Indoor	Indoor	Indoor	Indoor
max. equipment	1×Module 45×45mm	1×Module e45×45mm	2×Modules 45×45mm	2×Modules 45×45mm	2×Modules 45×45mm
Cleaning type (IP)	Wet sweeping device	Only dry cleaning	Wet sweeping device	Only dry cleaning	Wet sweeping device
IP closed mode	IP65	IP20	IP65	IP20	IP65
IP plugged-in	IP20	IP20	IP20	IP20	IP20
Cover type	Hinged cover, hinge	Hinged cover, hinge	Hinged cover, hinge	Hinged cover, hinge	removable
Fillable cover	no	no	no	no	FONTO 4301 no FONTO 4308 yes
Cover closure type	Philips screw	Philips screw	Snap lock	Snap lock	Snap lock
Levelling support	yes (optionally)	yes (optionally)	yes (optionally)	yes (optionally)	yes (optionally)
Cable outlet	no	yes	no	yes	yes
Load capacity	2t (20kN)	2t (20kN)	2t (20kN)	2t (20kN)	2t (20kN)
Dimensions (l×w)	110×95mm	110×95mm	119×119mm	119×119mm	119×119mm
Mounting depth	72-230mm	72-230mm	77-240mm	77-240mm	77-240mm
Level-adjustable after installation	yes (+/-3mm)	yes (+/-3mm)	yes (+/-6mm)	yes (+/-6mm)	yes (+/-6mm)
Material: Aluminium...	natural	natural	anodised	anodised	anodised
Feed-in cable	2×M25	2×M25	2×M25	2×M25	2×M25
Detailed description on page	8	9	10	11	12/13

Models	FONTO 8301 FONTO 8308	FONTO 9301 FONTO 9308	FONTO 4970W	FONTO 5000
Technical data				
Areas of application	Indoor	*Outdoor	Indoor	Indoor
max. equipment	8×Modules 45×45mm	1×Module 75×75mm	1×Module 45×45mm 1×Module 22.5×45mm	2×Modules 45×45mm 2×Modules 22.5×45mm
Cleaning type (IP)	Wet sweeping device	Wet sweeping device	Wet sweeping device	Wet sweeping device
IP closed mode	IP65	max. IP67	IP67	IP67
IP plugged-in	IP20	IP55	IP67 to 18mm	IP67 to 14mm
Cover type	removable	removable	Screw cap with water protection pipe	Screw cap with water protection pipe
Fillable cover	FONTO 8301 no FONTO 8308 yes	FONTO 9301 no FONTO 9308 yes	no	no
Cover closure type	Snap lock	Snap lock	Allen key	Allen key
Levelling support	yes (optionally)	yes (optionally)	yes (optionally)	yes (optionally)
Cable outlet	yes	yes	yes	yes
Load capacity	2t (20kN)	5t (50kN)	2t (20kN)	4t (40kN)
Dimensions (l×w)	240×240mm	320×240mm	119×119mm	Ø 156mm
Mounting depth	90-250mm	276.5–336mm	77-240mm	95-205mm
Level-adjustable after installation	yes (+/-5mm)	no	yes (+/-6mm)	no
Material: Aluminium...	anodised	anodised	anodised	anodised
Feed-in cable	6×M25	2×M20 2×M25	2×M25	4×M32
Detailed description on page	14/15	16/17	18	19

*Connection area optionally separable

FONTO 2000

Floor socket outlet with hinged cover and level-adjustable frame
(Levelling support available optionally)



FONTO 2000 Floor socket outlet with hinged cover, without cable outlet IP65, **aluminium, grinded**, 110×95×75 mm, cannot be closed when plugged in

Item no.	Designation	Equipment
✓ 840886	FONTO 2000	without equipment

Module inserts and accessories on page 20

Technical data

Dimensions (l×w×h):	110×95×75 mm
Mounting depth:	approx. 75 mm (standard version)
– level-adjustable:	72 - 78 mm
– with levelling support:	88 - 130 mm
– with threaded pin extension:	88* - 230 mm
Material:	Aluminium natural
IP protection class:	
– in closed mode:	IP65, suitable for cleaning with wet sweepers
– plugged in mode:	IP20, only dry cleaning
Cover:	Hinged cover, lid hinge bar
Cover closure type:	Philips screw
Cable outlet:	no
Load capacity:	
– in closed mode:	2t (20 kN)
Max. conductor cross-section:	defined by used module
Feed-in cable:	2×M25
Level-adjustable after installation:	yes (+/-3 mm)
Levelling support:	yes (optionally)

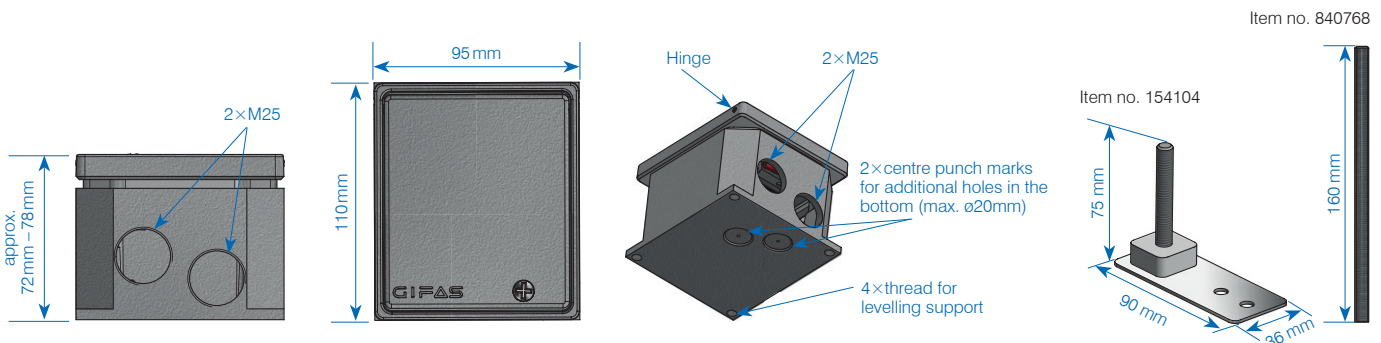
Accessories / spare parts	
✓ 154104*	FONTO/MASSO Jackscrew levelling support: 1×baseplate and 1×threaded pin M8×60
✓ 840768*	FONTO/MASSO Threaded pin extension M8×160 mm zinc-plated

4 pieces are required per floor socket outlet

Shorten threaded pin as required

Remarks/Features

- level-adjustable frame (+/-3 mm) in the offset position for simple adjustment to the finished floor level
- flush mounted floor socket with hinged cover
- for 1×insert 45×45×4 mm (e.g. T23, Schuko, RJ45, TV, HDMI, USB etc.)
- suitable for drive-over in closed mode
- 2×centre punch marks for additional holes in the bottom of the housing



Levelling feet are only used for setting the floor socket outlet. load capacity / stability is only obtained by backfilling the floor socket outlet with stable material (mortar, concrete...).

✓ From stock, offer subject to prior sale

FONTO 2005

Floor socket outlet with hinged cover, level-adjustable frame and cable outlet (Levelling support available optionally)



Technical data

Dimensions (l×w×h):	110×95×75 mm
Mounting depth:	approx. 75 mm (standard version)
– level-adjustable:	72 - 78 mm
– with levelling support:	88 - 130 mm
– with threaded pin extension:	88* - 230 mm
Material:	Aluminium natural
IP protection class:	
– in closed mode:	IP20, only dry cleaning
– plugged in mode:	IP20, only dry cleaning
Cover:	Hinged cover, lid hinge bar
Cover closure type:	Philips screw
Cable outlet:	yes
Load capacity:	
– in closed mode:	2t (20kN)
Max. conductor cross-section:	defined by used module
Feed-in cable:	2×M25
Level-adjustable after installation:	yes (+/-3 mm)
Levelling support:	yes (optionally)

Remarks/Features

- level-adjustable frame (+/-3 mm) in the offset position for simple adjustment to the finished floor level
- flush mounted floor socket with hinged cover incl. 1×cable outlet
- for 1×insert 45×45×4 mm (e.g. T23, Schuko, RJ45, TV, HDMI, USB etc.)
- suitable for drive-over in closed mode
- 2×centre punch marks for additional holes in the bottom of the housing
- **not** suitable for sockets according to British standard!

FONTO 2005 Floor socket outlet with hinged cover, with cable outlet, closed IP20, **aluminium, grinded**, 110×95×75 mm

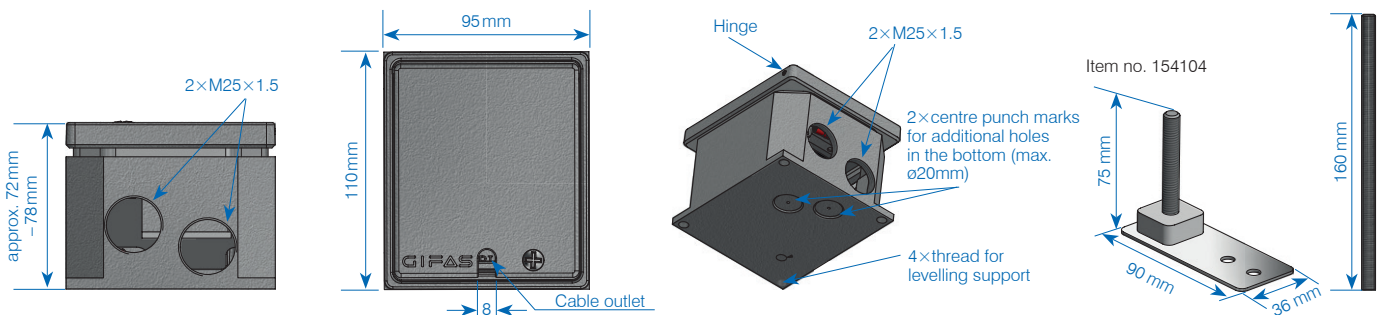
Item no.	Designation	Equipment
✓ 840891	FONTO 2005	without equipment

Module inserts and accessories on page 20

Accessories/spare parts	
✓ 154104*	FONTO/MASSO Jackscrew levelling support: 1×baseplate and 1×threaded pin M8×60
✓ 840768*	FONTO/MASSO Threaded pin extension M8×160 mm zinc-plated

4 pieces are required per floor socket outlet

Shorten threaded pin as required

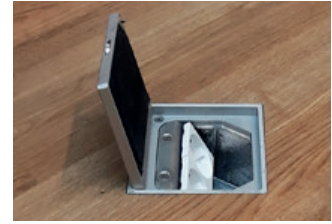


Levelling feet are only used for setting the floor socket outlet. load capacity / stability is only obtained by backfilling the floor socket outlet with stable material (mortar, concrete...).

✓ From stock, offer subject to prior sale

FONTO 4290

Floor socket outlet with hinged cover and level-adjustable frame
(Levelling support available optionally)



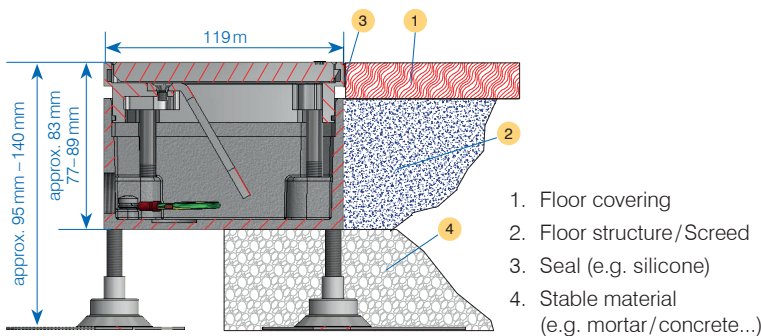
Level-adjustable after installation: +/-6 mm

Technical data

Dimensions (l×w×h):	119×119×83 mm
Mounting depth:	approx. 83 mm (standard version)
– level-adjustable:	77-89 mm
– with levelling support:	95-140 mm
– with threaded pin extension:	95*-240 mm
Material:	Aluminium, colourless anodised salt- and seawater-proof
IP protection class:	
– in closed mode:	IP65, suitable for cleaning with wet sweepers
– plugged in mode:	IP20, only dry cleaning
Cover:	Hinged cover, lid hinge bar
Cover closure type:	Snap lock
Cable outlet:	no
Load capacity:	
– in closed mode:	2t (20 kN)
Feed-in cable:	2×M25
Level-adjustable after installation:	yes (+/-6 mm)
Levelling support:	yes (optionally)

Remarks/Features

- level-adjustable frame (+/-6 mm) in the offset position for simple adjustment to the finished floor level
- for 2×mounting socket insert 45×45×4 mm (e.g. T23, Schuko, RJ45 cat6a, TV, HDMI, USB etc.)
- protective cardboard cover to prevent damage during the construction phase (integrated in the packaging)
- 2×centre punch marks for additional holes in the bottom of the housing



1. Floor covering
2. Floor structure/Screen
3. Seal (e.g. silicone)
4. Stable material (e.g. mortar/concrete...)

Levelling feet are only used for setting the floor socket outlet. load capacity / stability is only obtained by backfilling the floor socket outlet with stable material (mortar, concrete...).

✓ From stock, offer subject to prior sale

FONTO 4290, Floor socket outlet with hinged cover without cable outlet, closed IP65, 119×119×83 mm, anodised aluminium, level-adjustable +/-6 mm

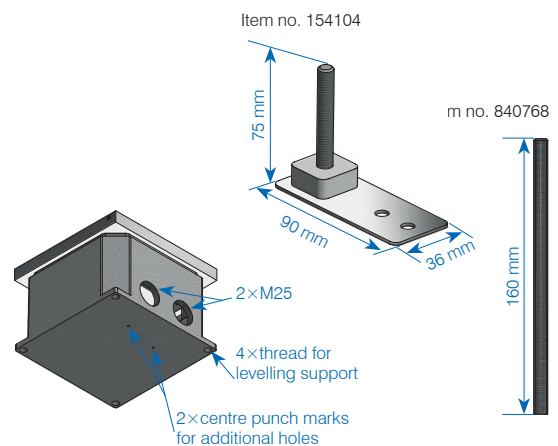
Item no.	Designation	Equipment
✓ 840725	FONTO 4290	without equipment

Module inserts and accessories on page 20

Accessories/spare parts		
✓ 154104*	FONTO/MASSO Jackscrew levelling support:	1×baseplate and 1×threaded pin M8×60
✓ 840768*	FONTO/MASSO Threaded pin extension M8×160 mm	zinc-plated

4 pieces are required per floor socket outlet

Shorten threaded pin as required



FONTO 4295

Floor socket outlet with hinged cover, level-adjustable frame and 2× cable outlet (Levelling support available optionally)



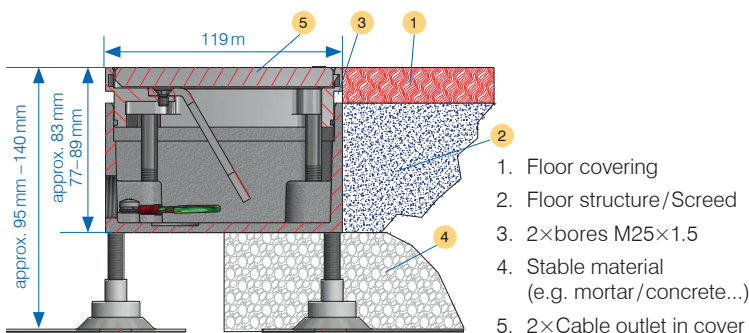
Level-adjustable after installation: +/-6 mm

Technical data

Dimensions (L×w×h):	119×119×83 mm
Mounting depth:	approx. 83 mm (standard version)
– level-adjustable:	77 - 89 mm
– with levelling support:	95 - 140 mm
– with threaded pin extension:	95* - 240 mm
Material:	Aluminium, colourless anodised salt- and seawater-proof
IP protection class:	
– in closed mode:	IP20, only dry cleaning
– plugged in mode:	IP20, only dry cleaning
Cover:	Hinged cover, lid hinge bar
Cover closure type:	Snap lock
Cable outlet:	yes
Load capacity:	
– in closed mode:	2 t (20 kN)
Feed-in cable:	2×M25
Level-adjustable after installation:	yes (+/-6 mm)
Levelling support:	yes (optionally)

Remarks/Features

- level-adjustable frame (+/-6 mm) in the offset position for simple adjustment to the finished floor level
- for 2×mounting socket insert 45×45×4 mm (e.g. T23, Schuko, RJ45 cat6a, TV, HDMI, USB etc.)
- protective cardboard cover to prevent damage during the construction phase (integrated in the packaging)
- 2×centre punch marks for additional holes in the bottom of the housing



1. Floor covering
2. Floor structure/Screed
3. 2×bores M25×1.5
4. Stable material (e.g. mortar/concrete...)
5. 2×Cable outlet in cover

Levelling feet are only used for setting the floor socket outlet. load capacity / stability is only obtained by backfilling the floor socket outlet with stable material (mortar, concrete...).

FONTO 4295, Floor socket outlet with hinged cover and cable outlet, closed IP20, 119×119×83 mm, **anodised aluminium**, level-adjustable +/-6 mm

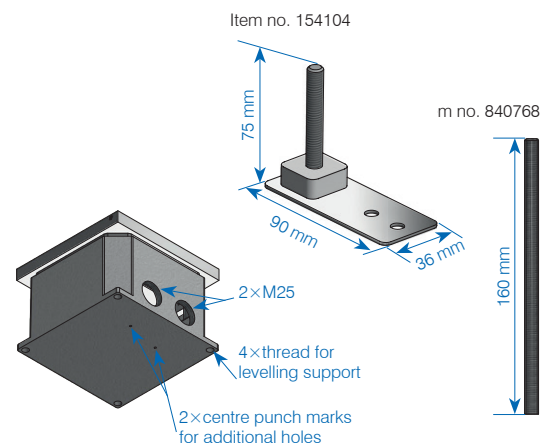
Item no.	Designation	Equipment
✓ 840764	FONTO 4295	without equipment

Module inserts and accessories on page 20

Accessories/spare parts	
✓ 154104*	FONTO/MASSO Jackscrew levelling support: 1×baseplate and 1×threaded pin M8×60
✓ 840768*	FONTO/MASSO Threaded pin extension M8×160 mm zinc-plated

4 pieces are required per floor socket outlet

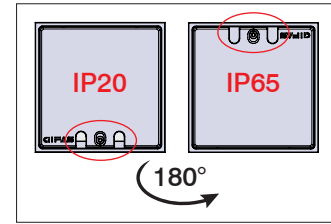
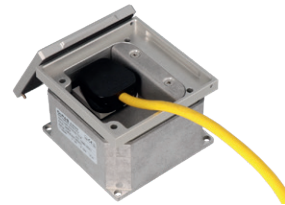
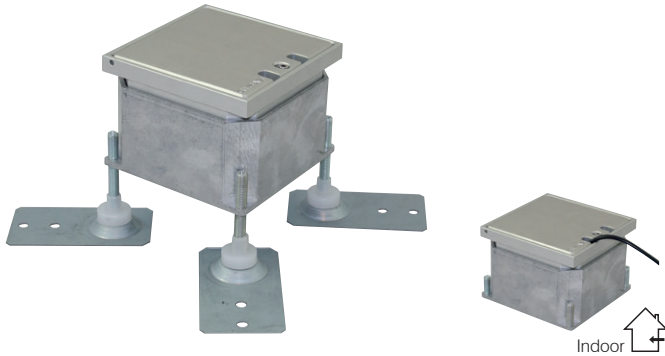
Shorten threaded pin as required



✓ From stock, offer subject to prior sale

FONTO 4301

Floor socket outlet with removable cover, level-adjustable frame and 2x cable outlet (Levelling support available optionally)



Level-adjustable after installation: +/-6 mm

Technical data

Dimensions (l×w×h):	119×119×83 mm
Mounting depth:	approx. 83 mm (standard version)
– level-adjustable:	77 - 89 mm
– with levelling support:	95 - 140 mm
– with threaded pin extension:	95* - 240 mm
Material:	Aluminium, colourless anodised salt- and seawater-proof
IP protection class:	
– in closed mode:	IP65, suitable for cleaning with wet sweepers; IP65 is achieved as the cover can be turned
– plugged in mode:	IP20, only dry cleaning
Cover:	removable
Cover closure type:	Snap lock
Cable outlet:	yes
Load capacity:	
– in closed mode:	2t (20 kN)
Feed-in cable:	2×M25
Level-adjustable after installation:	yes (+/-6 mm)
Levelling support:	yes (optionally)

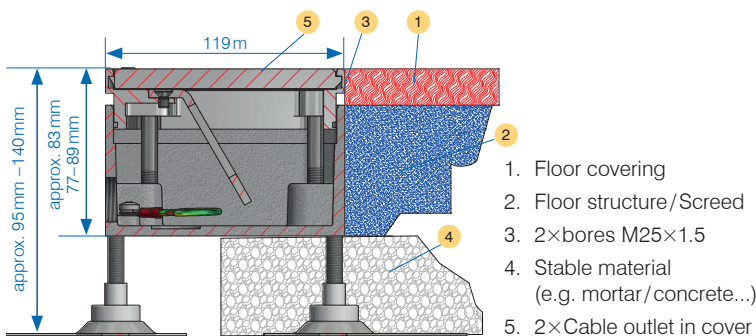
FONTO 4301, Floor socket outlet with cover and cable outlet, closed IP65, 119×119×83 mm, **anodised aluminium**, level-adjustable +/-6 mm

Item no.	Designation	Equipment
✓ 840765	FONTO 4301	without equipment

Module inserts and accessories on page 20

Remarks / Features

- level-adjustable frame (+/-6 mm) in the offset position for simple adjustment to the finished floor level
- for 2×mounting socket insert 45×45×4 mm (e.g. T23, Schuko, RJ45 cat6a, TV, HDMI, USB etc.) or 1× British Standard in combination with insert carrier protective cardboard cover to prevent damage during the construction phase (integrated in the packaging)
- 2×centre punch marks for additional holes in the bottom of the housing



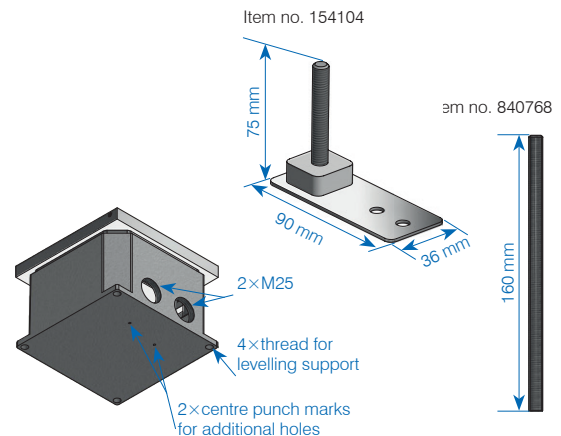
Levelling feet are only used for setting the floor socket outlet. load capacity / stability is only obtained by backfilling the floor socket outlet with stable material (mortar, concrete...).

✓ From stock, offer subject to prior sale

Accessories/spare parts		
✓ 154104*	FONTO/MASSO Jackscrew levelling support:	1×baseplate and 1×threaded pin M8×60
✓ 840768*	FONTO/MASSO Threaded pin extension M8×160 mm	zinc-plated

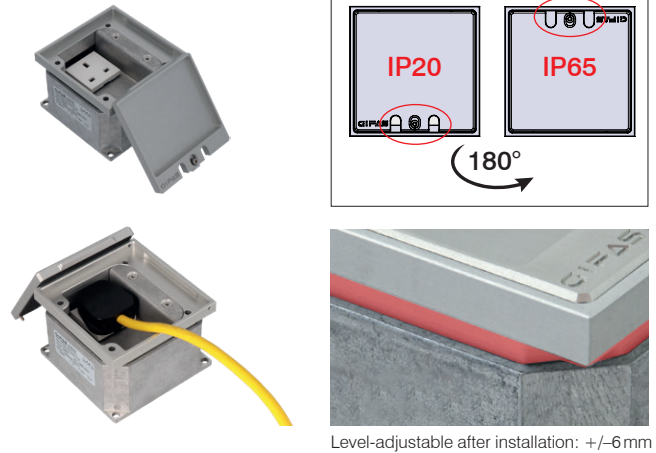
4 pieces are required per floor socket outlet

Shorten threaded pin as required



FONTO 4308

Floor socket outlet with removable and fillable cover, level-adjustable frame, 2×cable outlet (Levelling support available optionally)

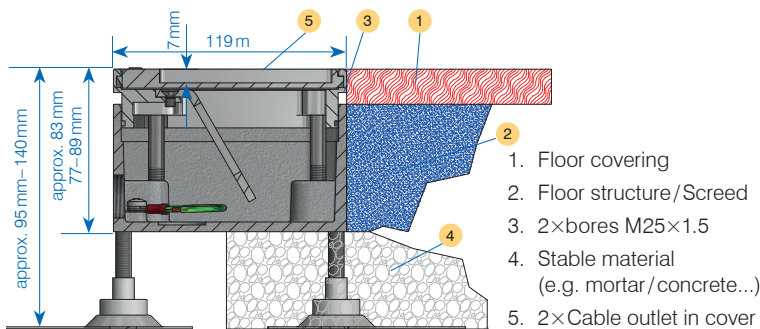


Technical data

Dimensions (l×w×h):	119×119×83 mm
Mounting depth:	approx. 83 mm (standard version)
– level-adjustable:	77 - 89 mm
– with levelling support:	95 - 140 mm
– with threaded pin extension:	95* - 240 mm
Lid depth for filling:	7 mm
Material:	Aluminium, colourless anodised salt- and seawater-proof
IP protection class:	
– in closed mode:	IP65, suitable for cleaning with wet sweepers; IP65 is achieved as the cover can be turned
– plugged in mode:	IP20, only dry cleaning
Cover:	removable, fillable
Cover closure type:	Snap lock
Cable outlet:	yes
Load capacity:	
– in closed mode:	2t (20 kN)
Feed-in cable:	2×M25
Level-adjustable after installation:	yes (+/-6 mm)
Levelling support:	yes (optionally)

Remarks / Features

- Level-adjustable frame (+/-6 mm) in the offset position for simple adjustment to the finished floor level
- for 2×mounting socket insert 45×45×4 mm (e.g. T23, Schuko, RJ45 cat6a, TV, HDMI, USB etc.) or 1× British Standard in combination with insert carrier
- Protective cardboard cover to prevent damage during the construction phase (integrated in the packaging)
- 2×centre punch marks for additional holes in the bottom of the housing



Levelling feet are only used for setting the floor socket outlet. load capacity / stability is only obtained by backfilling the floor socket outlet with stable material (mortar, concrete...).

FONTO 4308 Floor socket outlet with cover for floor covering and cable outlet, closed IP65, 119×119×83 mm, anodised aluminium, level-adjustable +/-6 mm

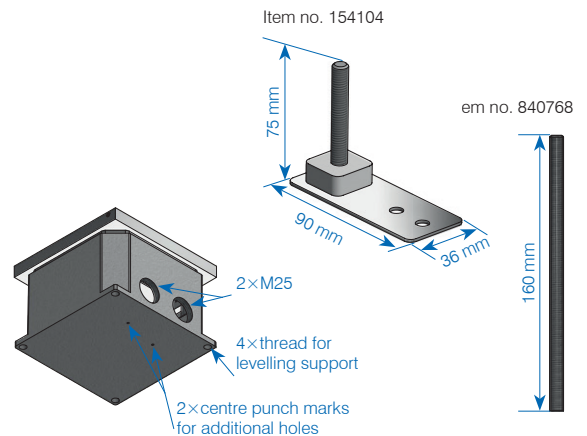
Item no.	Designation	Equipment
✓ 840766	FONTO 4308	without equipment

Module inserts and accessories on page 20

Accessories/spare parts	
✓ 154104*	FONTO/MASSO Jackscrew levelling support: 1×baseplate and 1×threaded pin M8×60
✓ 840768*	FONTO/MASSO Threaded pin extension M8×160 mm zinc-plated

4 pieces are required per floor socket outlet

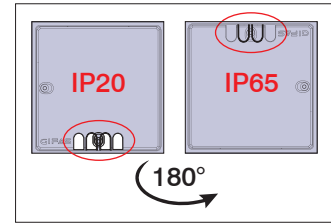
Shorten threaded pin as required



✓ From stock, offer subject to prior sale

FONTO 8301

Floor socket outlet with removable cover, level-adjustable frame and 4×cable outlet (Levelling support available optionally)



Level-adjustable after installation: +/- 5 mm

Technical data

Dimensions (l×w×h):	240×240×95 mm
Mounting depth:	approx. 95 mm (standard version)
	90 - 100 mm
– level-adjustable:	105 - 150 mm
– with levelling support:	105* - 250 mm
– with threaded pin extension:	
Material:	Aluminium, colourless anodised salt- and seawater-proof
IP protection class:	
– in closed mode:	IP65, suitable for cleaning with wet sweepers
– plugged in mode:	IP20, only dry cleaning
Cover:	removable
Cover closure type:	Snap lock
Cable outlet:	yes
Load capacity:	
– in closed mode:	2t (20 kN)
Feed-in cable:	6×M25
Level-adjustable after installation:	yes (+/-5 mm)
Levelling support:	yes (optionally)

FONTO 8301, Floor socket outlet with cover and cable outlet, closed IP65, 240×240×95 mm, anodised aluminium, level-adjustable +/-5 mm

Item no.	Designation	Equipment
840845	FONTO 8301	without equipment

Module inserts and accessories on page 20

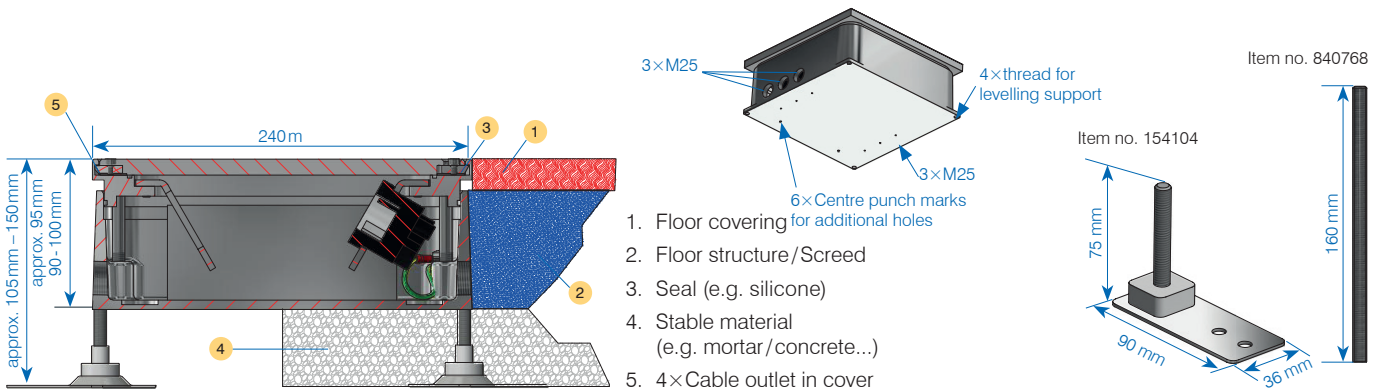
Remarks/Features

- level-adjustable frame (+/-5 mm) in the offset position for simple adjustment to the finished floor level
- for 8×mounting socket insert 45×45×4 mm (e.g. T23, Schuko, RJ45 cat6a, TV, HDMI, USB etc.)
- 6×centre punch marks for additional holes in the bottom of the housing
- suitable for drive-over in closed mode

Accessories / spare parts	
✓ 154104*	FONTO/MASSO Jackscrew levelling support: 1×baseplate and 1×threaded pin M8×60
✓ 840768*	FONTO/MASSO Threaded pin extension M8×160 mm zinc-plated
840862	FONTO Insertion piece for cable outlet, aluminium natural

* 4 pieces are required per floor socket outlet

Shorten threaded pin as required

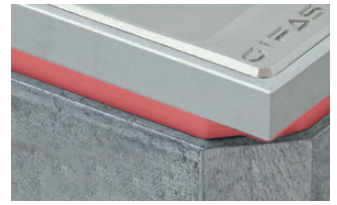
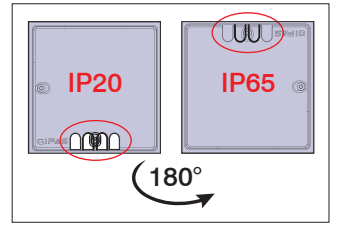
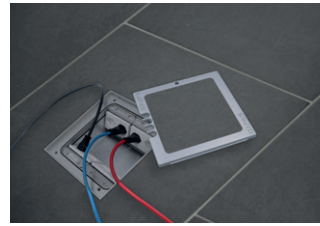


Levelling feet are only used for setting the floor socket outlet. load capacity / stability is only obtained by backfilling the floor socket outlet with stable material (mortar, concrete...).

✓ From stock, offer subject to prior sale

FONTO 8308

Floor socket outlet with removable and fillable cover, level-adjustable frame, 4×cable outlet (Levelling support available optionally)



Level-adjustable after installation: +/- 5 mm

Technical data

Dimensions (l×w×h): 240×240×95 mm
 Mounting depth: approx. 95 mm (standard version)
 – level-adjustable: 90 - 100 mm
 – with levelling support: 105 - 150 mm
 – with threaded pin extension: 105* - 250 mm
 Lid depth for filling: 7 mm
 Material: Aluminium, colourless anodised salt- and seawater-proof

IP protection class:
 – in closed mode: IP65, suitable for cleaning with wet sweepers
 – plugged in mode: IP20, only dry cleaning
 Cover: removable, fillable
 Cover closure type: Snap lock
 Cable outlet: yes

Load capacity:
 – in closed mode: 2t (20 kN)
 Feed-in cable: 6×M25
 Level-adjustable after installation: yes (+/-5 mm)
 Levelling support: yes (optionally)

Remarks/Features

- level-adjustable frame (+/-5 mm) in the offset position for simple adjustment to the finished floor level
- for 8×mounting socket insert 45×45×4 mm (e.g. T23, Schuko, RJ45 cat6a, TV, HDMI, USB etc.)
- 6×centre punch marks for additional holes in the bottom of the housing
- suitable for drive-over in closed mode

FONTO 8308, Floor socket outlet with cover and cable outlet, closed IP65, 240×240×95 mm **anodised aluminium**, level-adjustable +/-5 mm

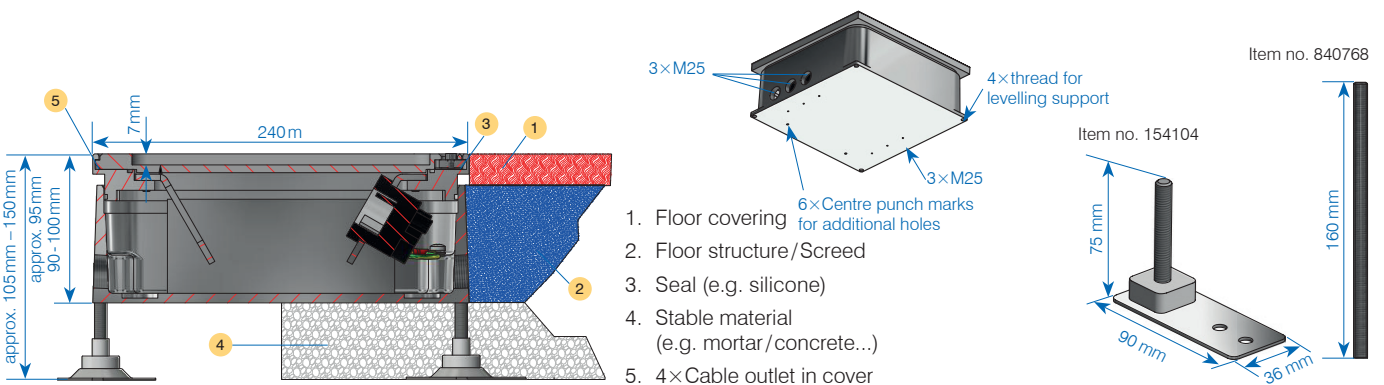
Item no.	Designation	Equipment
840848	FONTO 8308	without equipment

Module inserts and accessories on page 20

Accessories/spare parts	
✓ 154104*	FONTO/MASSO Jackscrew levelling support: 1×baseplate and 1×threaded pin M8×60
✓ 840768*	FONTO/MASSO Threaded pin extension M8×160 mm zinc-plated
840862	FONTO Insertion piece for cable outlet, aluminium natural

* 4 pieces are required per floor socket outlet

Shorten threaded pin as required



Levelling feet are only used for setting the floor socket outlet. load capacity / stability is only obtained by backfilling the floor socket outlet with stable material (mortar, concrete...).

✓ From stock, offer subject to prior sale

FONTO 9301

Floor socket outlet with removable cover and 2×cable outlet
(Levelling support available optionally)

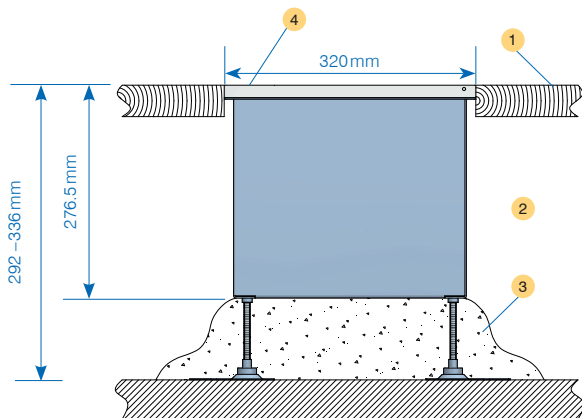


Technical data

Dimensions (l×w×h):	320×240×276.5 mm
Mounting depth:	276.5 mm (standard version)
	292 –336 mm
Material:	Aluminium, colourless anodised (salt- and seawater-proof)
– Cover/frame:	V2A (1.4301)
– Housing:	IP55 - IP67
Protection class:	
– Pay attention to the drainage	
Cover:	removable
Cover closure type:	Snap lock
Cable outlet:	yes
Load capacity:	
– in closed mode:	5 t (50 kN)
Feed-in cable:	2×M20 bottom 2×M25 bottom
Levelling support:	yes (optionally)

Remarks / Features

- for indoor or outdoor
- suitable for drive-over in closed mode
- connection box can be filled with bluegel



FONTO 9301, Floor socket outlet with cover and cable outlet,
closed IP67, 320×240×276.5 mm, **aluminium, colourless anodised**

Item no.	Designation	Equipment
861018	FONTO 9301	3×T23/1×T25
860926	FONTO 9301	2×CEE 16/3
860856	FONTO 9301	2×CEE 16/5
✓ 861005	FONTO 9301	2×T25 1×CEE 16/5
860860	FONTO 9301	1×CEE 32/5
860862	FONTO 9301	1×CEE 16/5 2×Schuko
860864	FONTO 9301	1×CEE 16/5 1×British Standard 13A
860866	FONTO 9301	2×British Standard 13A

Other fitting options on request

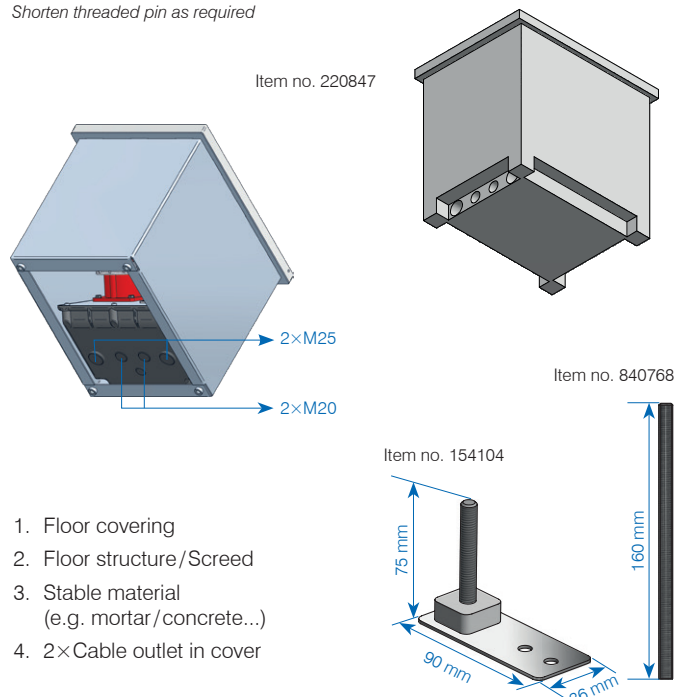
On request, the FONTO 9301 can also be made of stainless steel.

Module inserts and accessories on page 20

Accessories / spare parts		
✓ 154104*	FONTO / MASSO Jackscrew levelling support:	1×baseplate and 1×threaded pin M8×60
✓ 840768*	FONTO / MASSO Threaded pin extension M8×160 mm	zinc-plated
✓ 211636	FONTO Cable outlet, insertion piece for cable outlet floor socket outlet, aluminium, colourless anodised	
✓ 220847	FONTO Polystyrene recess shutter block	
✓ 219243	FONTO lid for locking	
✓ 012009	Sash square lock, 8 mm	
✓ 011691	Square lock key 8 mm, black	

* 4 pieces are required per floor socket outlet

Shorten threaded pin as required



Levelling feet are only used for setting the floor socket outlet. load capacity / stability is only obtained by backfilling the floor socket outlet with stable material (mortar, concrete...). Drainage is necessary for an outdoor installation.

✓ From stock, offer subject to prior sale

FONTO 9308

Floor socket outlet with removable, fillable cover and 2×cable outlet (Levelling support available optionally)

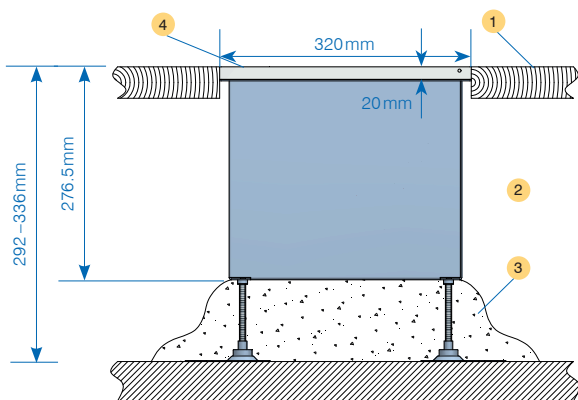


Technical data

Dimensions (l×w×h):	320×240×276.5 mm
Mounting depth:	276.5 mm (standard version)
– with levelling support:	292 –336 mm
Lid depth for floor filling:	7 mm
Material:	
– Cover/frame:	Aluminium, colourless anodised (salt- and seawater-proof)
– Housing:	V2A (1.4301)
Protection class:	IP55-IP67
– Pay attention to the drainage	
Cover:	removable, fillable
Cover closure type:	Snap lock
Cable outlet:	yes
Load capacity:	
– in closed mode:	5t (50 kN)
Feed-in cable:	2×M20 bottom 2×M25 bottom
Levelling support:	yes (optionally)

Remarks /Features

- for indoor or outdoor
- suitable for drive-over in closed mode
- connection box can be filled with bluegel



FONTO 9308, Floor socket outlet with cover and cable outlet, closed IP67, 320×240×276.5mm, **aluminium, colourless anodised**

Item no.	Designation	Equipment
✓ 860857	FONTO 9308	2×CEE 16/5
861006	FONTO 9308	2×T25 1×CEE 16/5
860861	FONTO 9308	1×CEE 32/5
860863	FONTO 9308	1×CEE 16/5 2×Schuko
860865	FONTO 9308	1×CEE 16/5 1×British Standard 13A
860867	FONTO 9308	2×British Standard 13A

Other fitting options on request

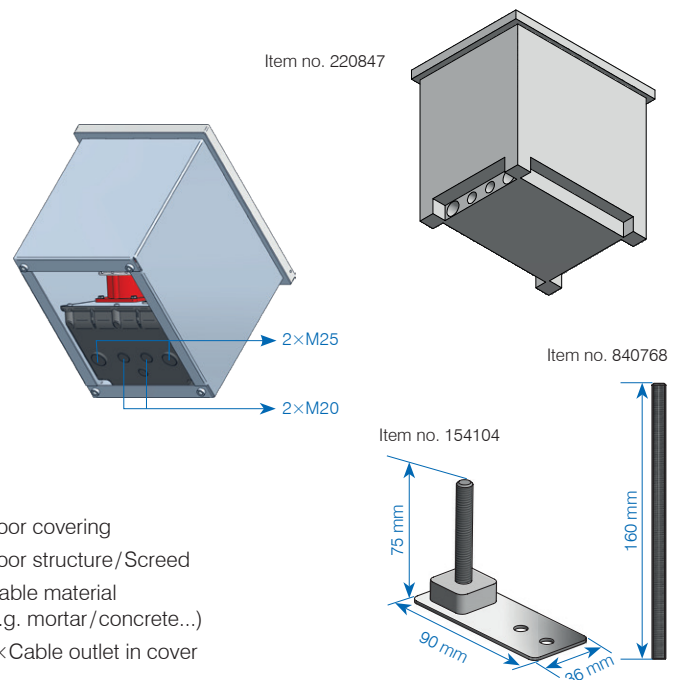
Module inserts and accessories on page 20

Accessories /spare parts

✓ 154104*	FONTO/MASSO Jackscrew levelling support: 1×baseplate and 1×threaded pin M8×60
✓ 840768*	FONTO/MASSO Threaded pin extension M8×160 mm zinc-plated
✓ 211636	FONTO Cable outlet, insertion piece for cable outlet floor socket outlet, aluminium, colourless anodised
✓ 220847	FONTO Polystyrene recess shutter block

* 4 pieces are required per floor socket outlet

Shorten threaded pin as required



1. Floor covering
2. Floor structure /Screed
3. Stable material
(e.g. mortar /concrete...)
4. 2×Cable outlet in cover

Levelling feet are only used for setting the floor socket outlet. load capacity / stability is only obtained by backfilling the floor socket outlet with stable material (mortar, concrete...). Drainage is necessary for an outdoor installation.

✓ From stock, offer subject to prior sale

FONTO 4970W

Floor socket outlet with screwable lid, water protection shroud and level-adjustable frame (Levelling support available optionally)



Technical data

Dimensions (l×w×h):	119×119×83 mm
Mounting depth:	approx. 83 mm (standard version)
– level-adjustable:	77 - 89 mm
– with levelling support:	95 - 140 mm
– with threaded pin extension:	95* - 240 mm
Material:	Aluminium, colourless anodised salt- and seawater-proof
IP protection class:	
– in closed mode:	IP67, suitable for cleaning with wet sweepers
– with fitted water protection pipe:	IP67, water hight max. 18 mm
Cover:	Screwable lid removable
Cover closure type:	Allen key
Cable outlet:	yes
Load capacity:	
– in closed mode:	2t (20 kN)
Feed-in cable:	2×M25
Level-adjustable after installation:	yes (+/-6 mm)
Levelling support:	yes (optionally)

FONTO 4970W Floor socket outlet with screwable lid and water protection shroud, closed IP67, **anodised aluminium**, 119×119×83 mm

Item no.	Designation	Equipment
✓ 840983	FONTO 4970W	without equipment

Module inserts and accessories on page 20

Accessories / spare parts		
✓ 154104*	FONTO/MASSO Jackscrew levelling support:	1×baseplate and 1×threaded pin M8×60
✓ 840768*	FONTO/MASSO Threaded pin extension M8×160 mm	zinc-plated

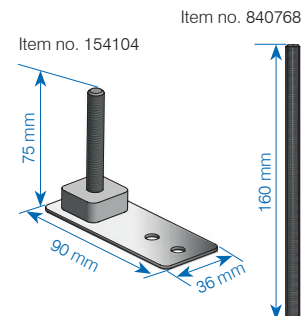
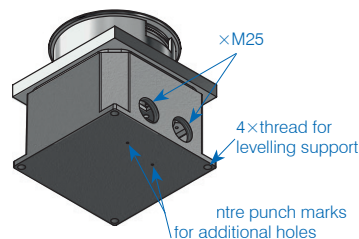
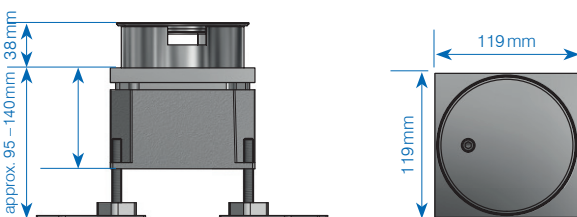
* 4 pieces are required per floor socket outlet

Shorten threaded pin as required

Remarks / Features

- level-adjustable frame (+/-6 mm) in the offset position for simple adjustment to the finished floor level
- for 1×insert 45×45×4 mm and 1×insert 22.5×45×4 mm (e.g. Schuko, RJ45, etc.)
- protective cardboard cover to prevent damage during the construction phase (integrated in the packaging)
- suitable for stand-on in plugged mode
- 2×centre punch marks for additional holes in the bottom of the housing

Level-adjustable after installation: +/-6 mm

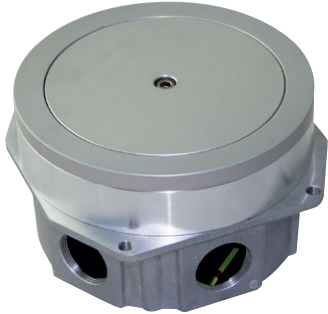


Levelling feet are only used for setting the floor socket outlet. load capacity / stability is only obtained by backfilling the floor socket outlet with stable material (mortar, concrete...).

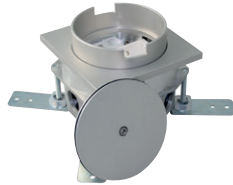
✓ From stock, offer subject to prior sale

FONTO 5000/FONTO 5000.R

Floor socket outlet with screwable lid and water protection shroud
(Levelling support available optionally)



FONTO 5000



FONTO 5000.R
Square version on request



Technical data

FONTO 5000 (ø×h):	156×95 mm
FONTO 5000.R (l×w×h*):	156×156×95 mm
Diameter:	156 mm
Mounting depth:	approx. 95 mm (standard version)
– with levelling support:	100 mm
– with threaded pin extension:	100* - 205 mm
Material:	Aluminium, colourless anodised
IP protection class:	
– in closed mode:	IP67, suitable for cleaning with wet sweepers
– with fitted water protection pipe:	IP67, water hight max. 14 mm
Cover:	Screwable lid removable
Cover closure type:	Allen key
Cable outlet:	yes
Load capacity:	
– in closed mode:	40 kN
Feed-in cable:	4×M32
Level-adjustable after installation:	no
Levelling support:	yes (optionally)

Remarks / Features

- flush mounted floor socket with water protection shroud (if unused, embedded in the floor socket)
- for 2×insert 45×45×4 mm and 2×insert 22.5×45×4 mm (e.g. Schuko, RJ45, etc.)
- water protection pipe sunk into the floor box when not being used
- suitable for stand-on in plugged mode

FONTO 5000 Floor socket outlet with screwable lid and water protection shroud, closed IP67, **anodised aluminium**, 156×156×95 mm

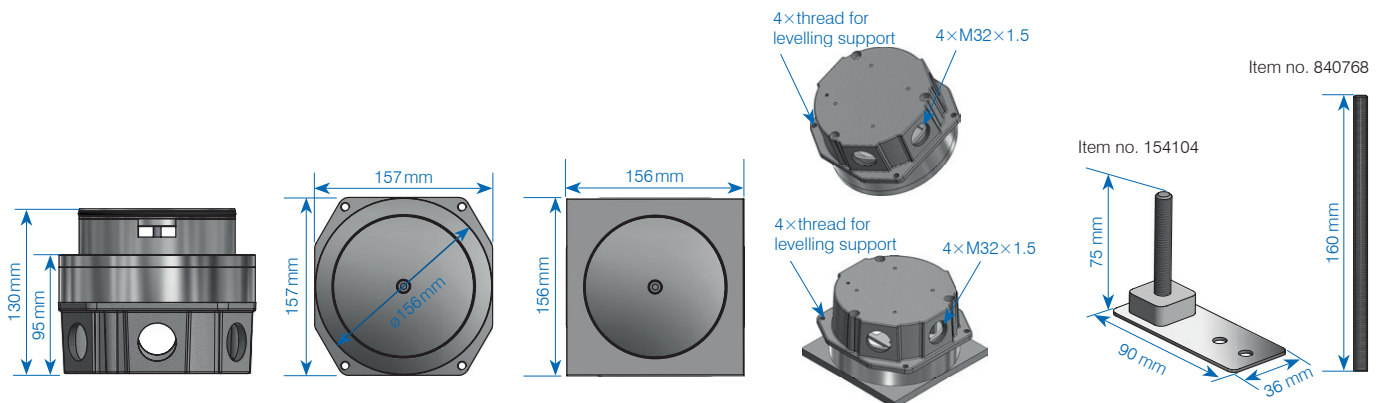
Item no.	Designation	Equipment
✓ 840963	FONTO 5000	without equipment

Module inserts and accessories on page 20

Accessories/spare parts		
✓ 154104*	FONTO/MASSO Jackscrew levelling support:	1×baseplate and 1×threaded pin M8×60
✓ 840768*	FONTO/MASSO Threaded pin extension	M8×160 mm zinc-plated

* 4 pieces are required per floor socket outlet

Shorten threaded pin as required



Levelling feet are only used for setting the floor socket outlet. load capacity / stability is only obtained by backfilling the floor socket outlet with stable material (mortar, concrete...).

✓ From stock, offer subject to prior sale

FONTO Inserts

Sockets

Item no.	Description	
✓ 210493	Built-in socket 1×Schuko Legrand Mosaic white 16A/250V/IP20	
✓ 134765	Built-in socket Schuko F/B Legrand Mosaic white 16A/250V/IP20	
✓ 134711	Built-in socket 1×T13 Legrand Mosaic white 10A/250V/IP20	
✓ 134763	Built-in socket 1×T23 Legrand Mosaic white 16A/250V/IP20	
✓ 195046	Built-in socket British Standard, Legrand Arteor white 13A/250V/IP20	

Insert carrier

Item no.	Designation	
247529	Insert carrier single for FONTO 4xxx for British Standard flush-mounted socket outlet	
206841	Insert carrier double for FONTO 8301/8308 for British Standard flush-mounted socket outlet	

Special operations

Item no.	Designation	
✓ 134855	Built-in socket 1×RJ45 Legrand Mosaic white cat.6 /protected, 1Mod, IP20	
147131	Built-in socket TV/Radio/SAT Legrand Arteor white, 2Mod, IP20 class A	
149527	Built-in-junction box audio cable socket, Legrand Mosaic white, single, 4 mm ²	

Blind cover

Item no.	Description	
✓ 135158	Blind cover Legrand Mosaic white 1-Module	
✓ 135154	Blind cover Legrand Mosaic white 2-Module	

✓ From stock, offer subject to prior sale

Accessories

Item no.	Description	
✓ 058191	Locking screw for M25×1.5 mm grey, glass fiber reinforced polyamide IP54 with slot	
✓ 058192	Locking screw for M32×1.5 mm grey, glass fiber reinforced polyamide IP54 with slot	
✓ 225541	Gasket M25 Neopren black inside 23 mm, outside 30 mm, thickness 1.2 mm	
✓ 225542	Gasket M32 Neopren black inside 30 mm, outside 40 mm, thickness 1.5 mm	
181535	Conduit gland AGRO M32 black, straight, for plastic hose ø34.5 mm	
✓ 153458	Conduit gland AGRO M25 black, straight, for plastic hose ø21,2 mm	
✓ 016871	Conduit gland AGRO M25 black, straight, for plastic hose ø28,5 mm	
✓ 128266	Flexible conduit AGRO ROHRFLEX PA6 black 16.5/21.2 mm flexible (VE = 50 m)	
✓ 038208	Flexible conduit ROHRFLEX PA6 black 23.0/28.5 mm flexible (VE = 50 m)	
024202	Flexible conduit ROHRFLEX PA6 black 29.0/34.5 mm flexible (VE=25m)	
✓ 154104	Levelling feet with threaded pin M8×60 mm for floor socket outlet FONTO/MASSO	
✓ 840768	Threaded pin M8×160 mm for levelling feet floor socket outlet FONTO/MASSO	



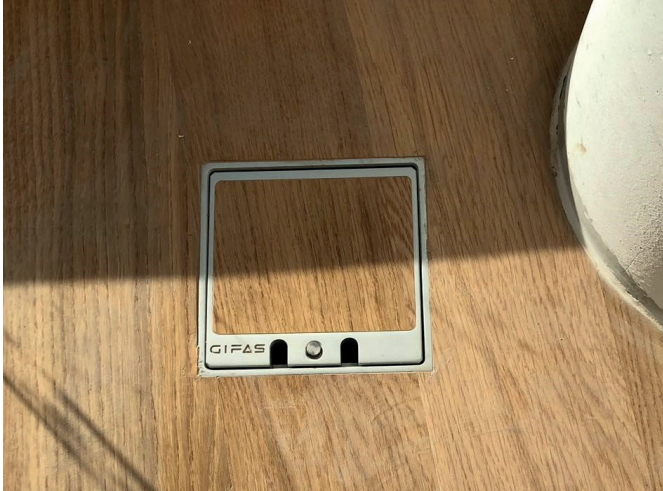
Winter garden



Wellness Lounge



Private house



Private house



Private house



Car shop



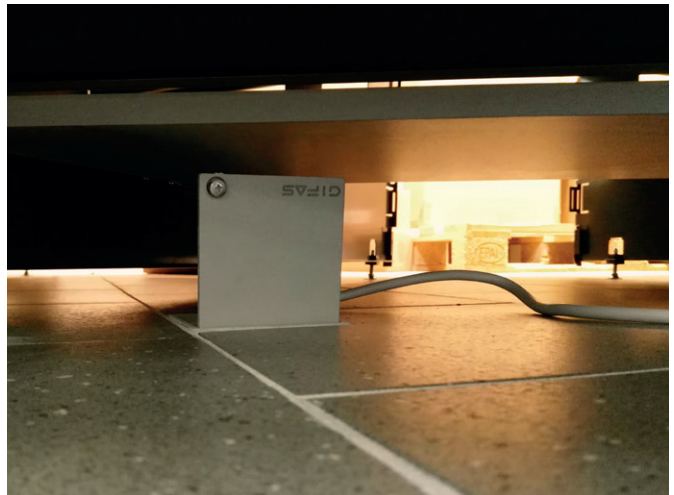
Shopping center



Car shop



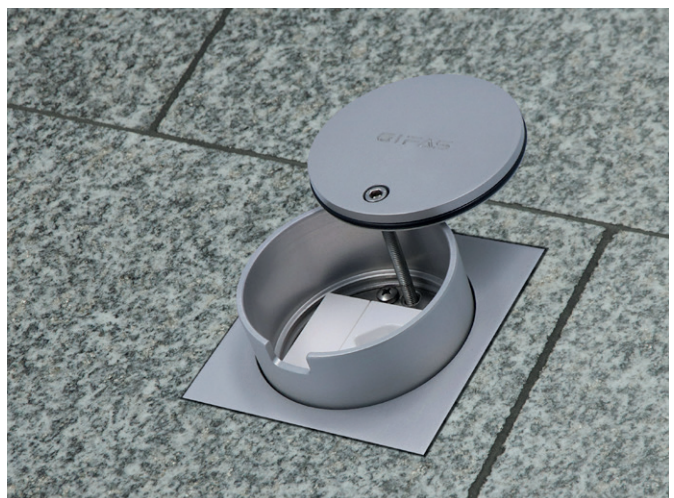
Shopping center



Car shop



Winter garden



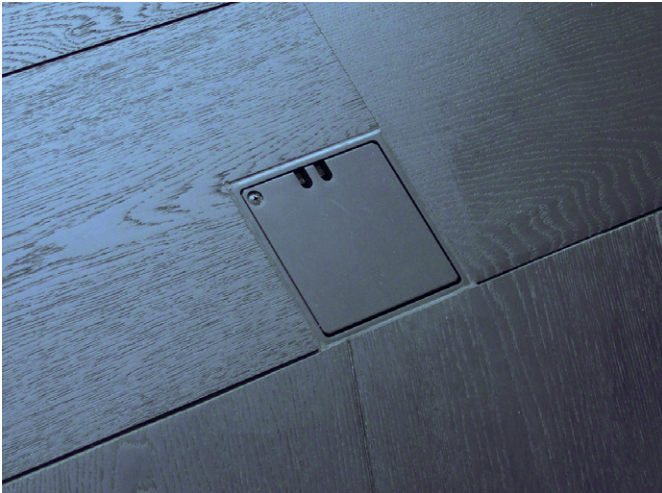
Shopping center



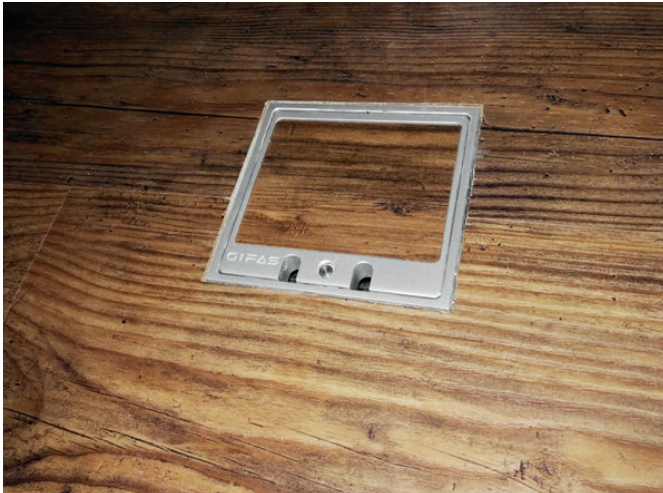
Private house



Shopping center



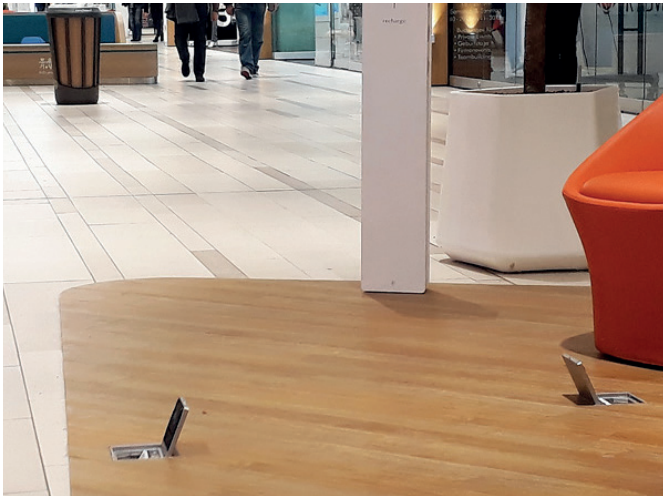
Museum




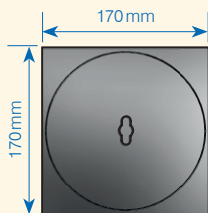
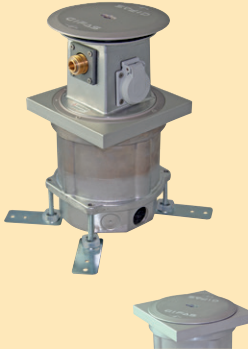
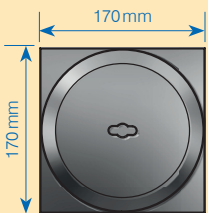
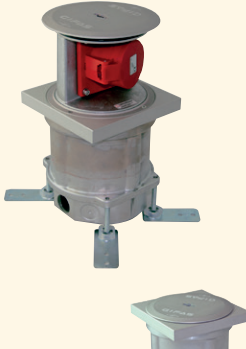
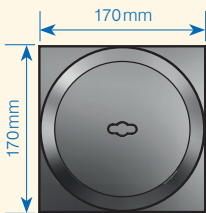
Private home


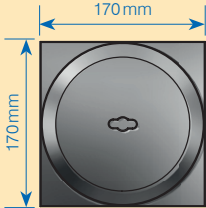

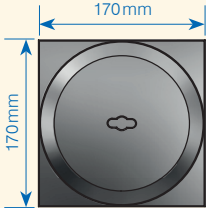


Wellness Lounge



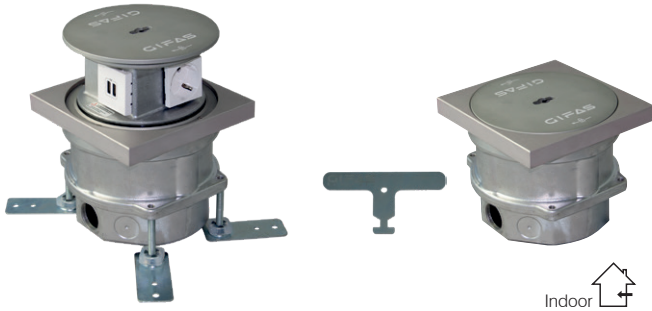
Shopping center

Models	MASSO 3000.2	MASSO 4000	MASSO 4010
	 	 	 
Technical data			
Areas of application	Indoor	Indoor	Indoor
Air connection	no	yes	no
max. Equipment	4×Module 45×45 mm	4×Module 45×45 mm	1×CEE 32
Cleaning type (IP)	Wet sweeping device	Wet sweeping device	Wet sweeping device
IP closed	IP67	IP67	IP67
IP in plugged mode	IP20	IP55	IP54
Cover type	screwable lid	screwable lid	screwable lid
Fillable cover	no	no	no
Cover closure type Cover	Lift grip	Lift grip	Lift grip
Levelling support	yes (optionally)	yes (optionally)	yes (optionally)
Cable outlet	no	no	no
Load capacity	4t (40kN)	4t (40kN)	4t (40kN)
Dimensions (l×w)	170×170 mm	170×170 mm	170×170 mm
Mounting depth	145 - 245 mm	190 - 290 mm	190 - 290 mm
Level-adjustable after installation	no	no	no
Material: Aluminium...	anodised	anodised	anodised
Feed-in cable	3×M32	3×M32	3×M32
Detailed description on page	26	27	28

Models	MASSO 8000	MASSO 8010
	 	 
Technical data		
Areas of application	Indoor	Indoor
Air connection	yes	yes
max. Equipment	6×Module 45×45 mm	1×CEE 16 3×Module 45×45 mm
Cleaning type (IP)	Wet sweeping device	Wet sweeping device
IP closed	IP67	IP67
IP in plugged mode	IP54	IP54
Cover type	screwable lid	screwable lid
Fillable cover	no	no
Cover closure type Cover	Lift grip	Lift grip
Levelling support	yes (optionally)	yes (optionally)
Cable outlet	no	no
Load capacity	4t (40kN)	4t (40kN)
Dimensions (l×w)	170×170 mm	170×170 mm
Mounting depth	255–355 mm	255–355 mm
Level-adjustable after installation	no	no
Material: Aluminium...	anodised	anodised
Feed-in cable	3×M32	3×M32
Detailed description on page	29	30

MASSO 3000.2

Micro retraction distributor (Levelling support available optionally)



Technical data

Dimensions (l×w×h):	170×170×142 mm
Mounting depth:	
– with levelling support:	145 mm
– with threaded pin extension:	145* -245 mm
Material:	Aluminium, colourless anodised salt- and seawater-proof
IP protection class:	
– in closed mode:	IP67, suitable for cleaning with wet sweepers, suitable for drive-over
– plugged in mode:	IP20, only dry cleaning, suitable for stand-on
Cover:	Screwable lid
Cover closure type:	Lift grip
Cable outlet:	no
Load capacity:	
– in closed mode:	4 t (40 kN)
Feed-in cable:	3×M32
Level-adjustable after installation:	no
Levelling support:	yes (optionally)

Remarks/Features

- micro retraction distributor for flush ground mounting
- for 4×mounting socket insert 45×45×4 mm (e.g. T23, Schuko, RJ45 cat6a, TV, HDMI, USB etc.)
- 3×centre punch marks
- for additional holes ø25 mm and 2×centre punch marks for additional holes ø32 mm in bottom part of housing

MASSO 3000.2 retractable floor socket outlet, closed IP67, **anodised aluminium**, 170×170×142 mm, incl. key, cannot be closed when plugged in

Item no.	Description	Equipment
840919	MASSO 3000.2	without equipment
841031	MASSO 3000.2	3×T23 1×blind
840925	MASSO 3000.2	3×T23 2×RJ45
840682	MASSO 3000.2	3×Schuko 1×blind
840924	MASSO 3000.2	3×Schuko, 2×RJ45
840967	MASSO 3000.2	2×British Standard 13A 2×RJ45 1×blind

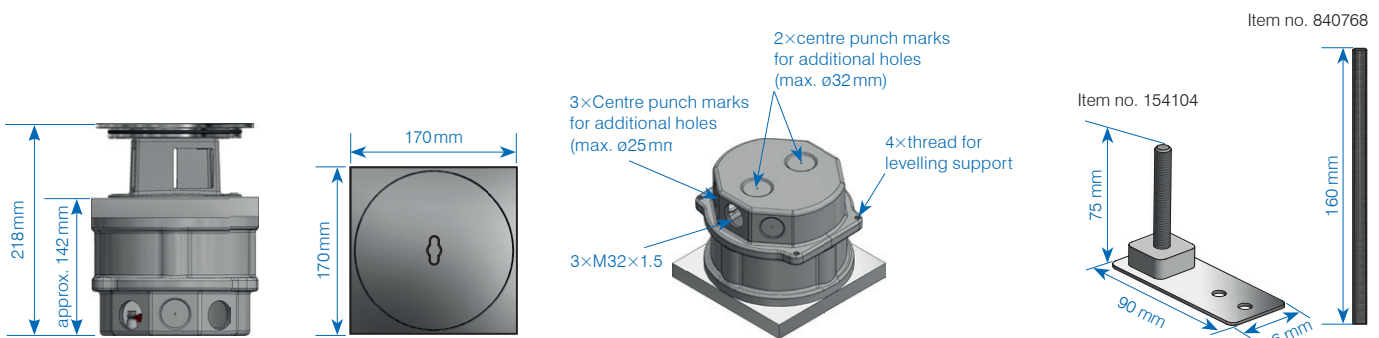
Other fitting options on request

Module inserts and accessories on page 20

Accessories / spare parts	
✓ 154104*	FONTO/MASSO Jackscrew levelling support: 1×baseplate and 1×threaded pin M8×60
✓ 840768*	FONTO/MASSO Threaded pin extension M8×160 mm zinc-plated

* 4 pieces are required per floor socket outlet

Shorten threaded pin as required

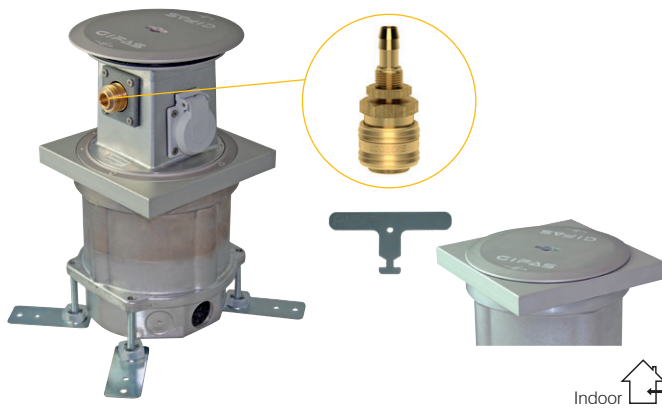


Levelling feet are only used for setting the floor socket outlet. load capacity / stability is only obtained by backfilling the floor socket outlet with stable material (mortar, concrete...).

✓ From stock, offer subject to prior sale

MASSO 4000

Micro retraction distributor (Levelling support available optionally)



Technical data

Dimensions (l×w×h):	170×170×190 mm
Mounting depth:	
– with levelling support:	190 mm
– with threaded pin extension:	190* -290 mm
Material:	Aluminium, colourless anodised salt- and seawater-proof
IP protection class:	
– in closed mode:	IP67, suitable for cleaning with wet sweepers, suitable for drive-over
– plugged in mode:	Up to IP55, depending on equipment, suitable for stand-on
Cover:	Screwable lid
Cover closure type:	Lift grip
Cable outlet:	no
Load capacity:	
– in closed mode:	4 t (40 kN)
Feed-in cable:	3×M32
Level-adjustable after installation:	no
Levelling support:	yes (optionally)

Remarks/Features

- micro retraction distributor for flush ground mounting
- 3×centre punch marks
- for additional holes ø25 mm and 2×centre punch marks for additional holes ø32 mm in bottom part of housing
- Compressed air connection possible (quick-release coupling Series ES DN 7.2, SLW 6, for Ø 8 mm hose)

MASSO 4000 retractable floor socket outlet, closed IP67, **anodised aluminium**, 170×170×190 mm, incl. key, cannot be closed when plugged in

Item no.	Description	Equipment
840912	MASSO 4000	without equipment
✓ 840949	MASSO 4000	4×Schuko
840953	MASSO 4000	3×Schuko, 2×RJ45
840970	MASSO 4000	4×British Standard 13A

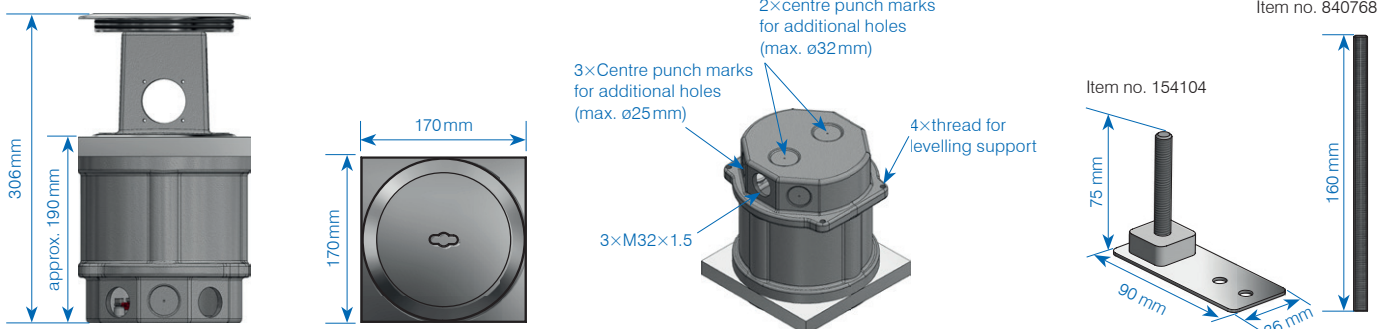
Other fitting options (e.g. compressed air) available on request!

Module inserts and accessories on page 20

Accessories/spare parts		
✓ 154104*	FONTO/MASSO Jackscrew levelling support:	1×baseplate and 1×threaded pin M8×60
✓ 840768*	FONTO/MASSO Threaded pin extension M8×160 mm	zinc-plated

* 4 pieces are required per floor socket outlet

Shorten threaded pin as required

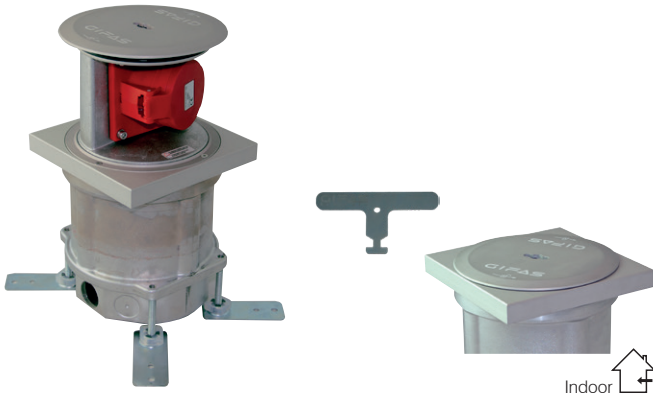


Levelling feet are only used for setting the floor socket outlet. load capacity / stability is only obtained by backfilling the floor socket outlet with stable material (mortar, concrete...).

✓ From stock, offer subject to prior sale

MASSO 4010

Micro retraction distributor (Levelling support available optionally)



MASSO 4010 Micro retraction distributor, retractable, closed IP67, anodised aluminium, 170×170×190 mm, incl. key, cannot be closed when plugged in

Item no.	Description	Equipment
840909	MASSO 4010	without equipment
✓ 840931	MASSO 4010	1×CEE 16/5
✓ 840932	MASSO 4010	1×CEE 32/5

Module inserts and accessories on page 20

Technical data

Dimensions (l×w×h):	170×170×190 mm
Mounting depth:	
– with levelling support:	190 mm
– with threaded pin extension:	190* - 290 mm
Material:	Aluminium, colourless anodised salt- and seawater-proof
IP protection class:	
– in closed mode:	IP67, suitable for cleaning with wet sweepers, suitable for drive-over to IP54, depending on equipment
– plugged in mode:	suitable for stand-on
Cover:	screwable lid
Cover closure type:	lift grip
Cable outlet:	no
Load capacity:	
– in closed mode:	4 t (40 kN)
Feed-in cable:	3×M32
Level-adjustable after installation:	no
Levelling support:	yes (optionally)

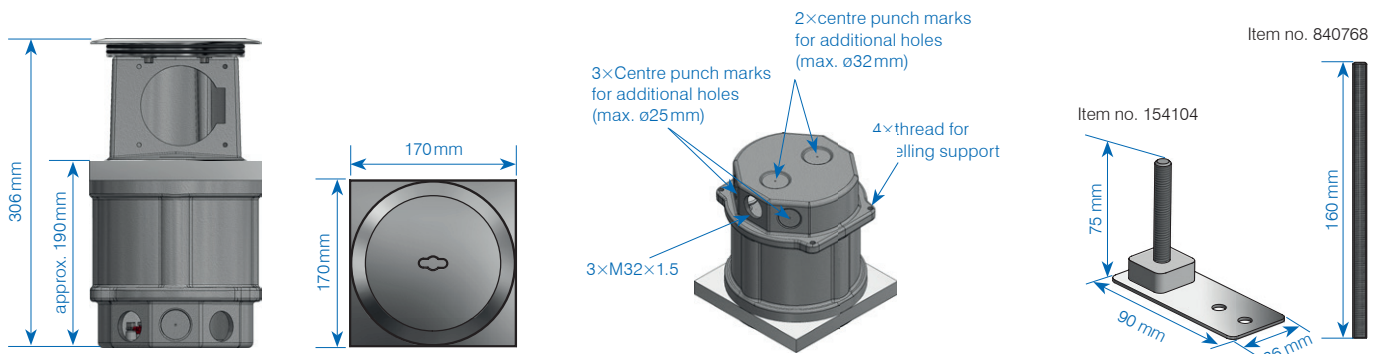
Accessories / spare parts	
✓ 154104*	FONTO/MASSO Jackscrew levelling support: 1×baseplate and 1×threaded pin M8×60
✓ 840768*	FONTO/MASSO Threaded pin extension M8×160 mm zinc-plated

* 4 pieces are required per floor socket outlet

Shorten threaded pin as required

Remarks / Features

- micro retraction distributor for flush ground mounting
- 3×centre punch marks
- for additional holes ø25 mm and 2×centre punch marks for additional holes ø32 mm in bottom part of housing

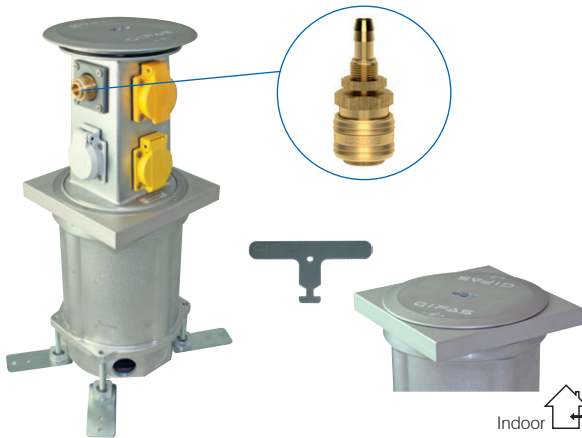


Levelling feet are only used for setting the floor socket outlet. load capacity / stability is only obtained by backfilling the floor socket outlet with stable material (mortar, concrete...).

✓ From stock, offer subject to prior sale

MASSO 8000

Micro retraction distributor (Levelling support available optionally)

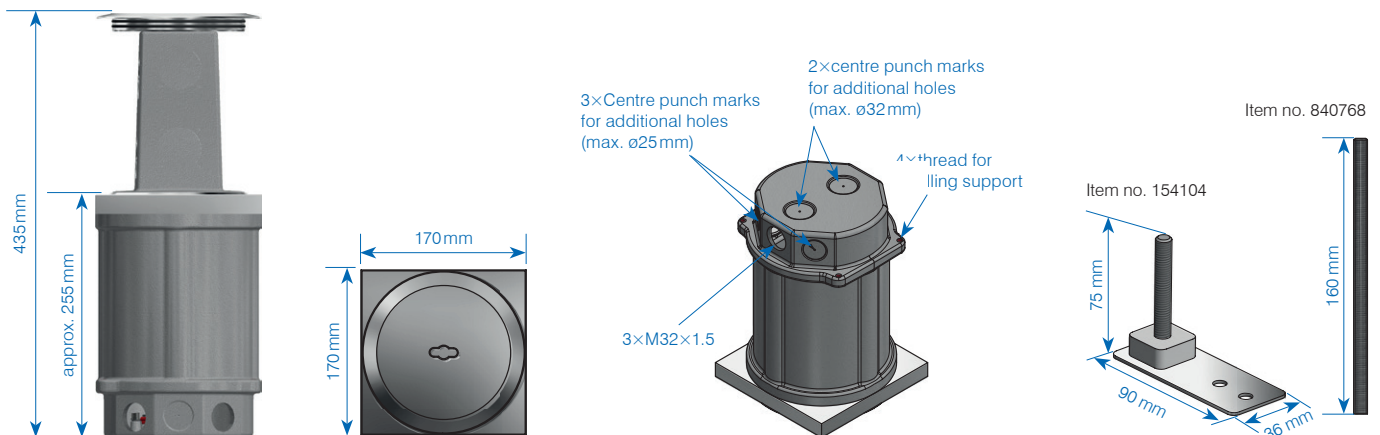


Technical data

Dimensions (l×w×h):	170×170×255 mm
Mounting depth:	
– with levelling support:	255 mm
– with threaded pin extension:	255*–355 mm
Material:	Aluminium, colourless anodised salt- and seawater-proof
IP protection class:	
– in closed mode:	IP67, suitable for cleaning with wet sweepers, suitable for drive-over
– plugged in mode:	up to IP54, depending on equipment, suitable for stand-on
Cover:	screwable lid
Cover closure type:	lift grip
Cable outlet:	no
Load capacity:	
– in closed mode:	4 t (40 kN)
Feed-in cable:	3×M32
Level-adjustable after installation:	no
Levelling support:	yes (optionally)

Remarks / Features

- micro retraction distributor for flush ground mounting
- 3×centre punch marks
- for additional holes ø25 mm and 2×centre punch marks for additional holes ø32 mm in bottom part of housing
- Compressed air connection possible (quick-release coupling Series ES DN 7.2, SLW 6, for Ø 8 mm hose)



Levelling feet are only used for setting the floor socket outlet. load capacity / stability is only obtained by backfilling the floor socket outlet with stable material (mortar, concrete...).

MASSO 8000 retractable floor socket outlet, closed IP67, anodised aluminium, 170×170×255 mm, for outside, incl. key, cannot be closed when plugged in

Item no.	Description	Equipment
840905	MASSO 8000	without equipment
840959	MASSO 8000	3×Schuko 1×FI/LS 0.03/16A
841029	MASSO 8000	3×British Standard 13A 1×FI/LS 0.03/13A

Other fitting options (e.g. compressed air) available on request!

Module inserts and accessories on page 20

Accessories / spare parts

✓ 154104*	FONTO/MASSO Jackscrew levelling support: 1×baseplate and 1×threaded pin M8×60
✓ 840768*	FONTO/MASSO Threaded pin extension M8×160 mm zinc-plated

* 4 pieces are required per floor socket outlet

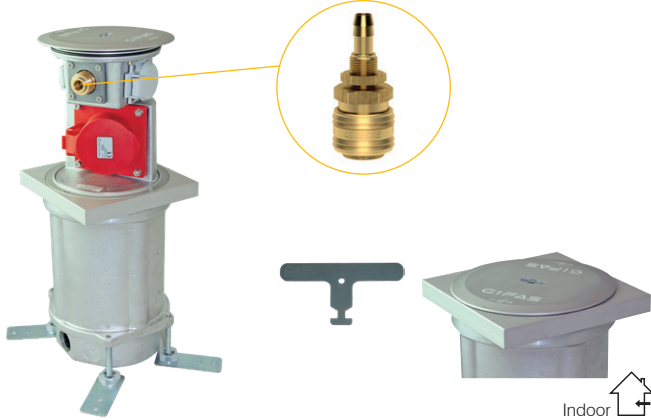
Shorten threaded pin as required

✓ From stock, offer subject to prior sale

MASSO 8010

Micro retraction distributor

(Levelling support available optionally)



MASSO 8010 Floor socket outlet ausfahrbar, closed IP67, **anodised aluminium**, 170×170×255 mm, incl. key, cannot be closed when plugged in

Item no.	Description	Equipment
840899	MASSO 8010	without equipment
✓ 840933	MASSO 8010	1×CEE 16/5 3×Schuko
840935	MASSO 8010	1×CEE 16/5 2×Schuko 2×RJ45
840969	MASSO 8010	1×CEE 16/5 3×British Standard 13A

Other fitting options (e.g. compressed air) available on request!

Module inserts and accessories on page 20

Technical data

Dimensions (l×w×h):	170×170×255 mm
Mounting depth:	
– with levelling support:	255 mm
– with threaded pin extension:	255*–355 mm
Material:	Aluminium, colourless anodised salt- and seawater-proof
IP protection class:	
– in closed mode:	IP67, suitable for cleaning with wet sweepers, suitable for drive-over up to IP54, depending on equipment, suitable for stand-on screwable lid
– plugged in mode:	IP54, depending on equipment, suitable for stand-on screwable lid
Cover:	
Cover closure type:	lift grip
Cable outlet:	no
Load capacity:	
– in closed mode:	4t (40 kN)
Feed-in cable:	3×M32
Level-adjustable after installation:	no
Levelling support:	yes (optionally)

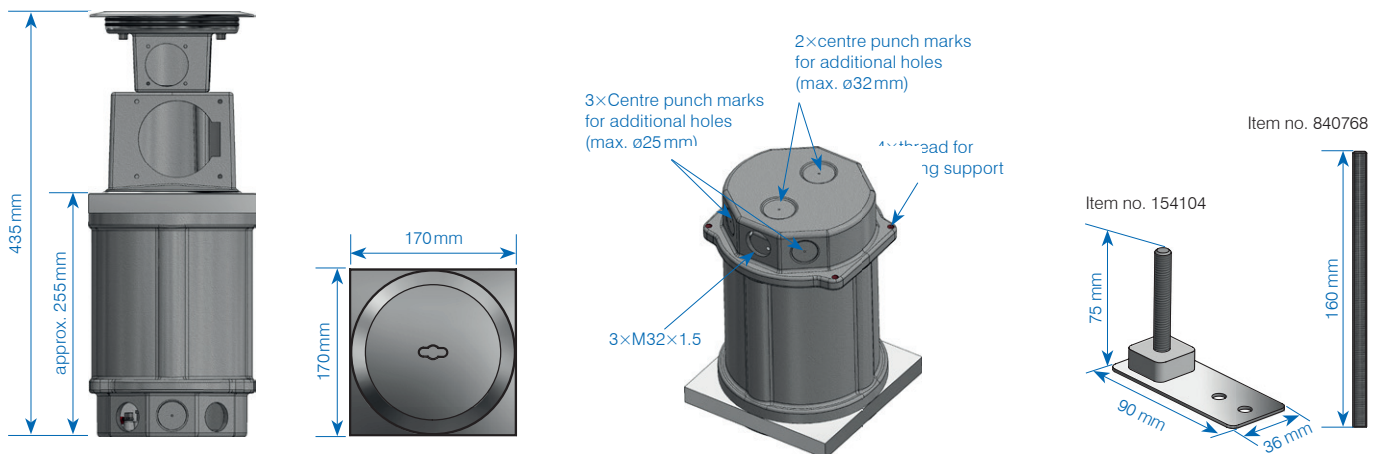
Accessories / spare parts	
✓ 154104*	FONTO/MASSO Jackscrew levelling support: 1×baseplate and 1×threaded pin M8×60
✓ 840768*	FONTO/MASSO Threaded pin extension M8×160 mm zinc-plated

* 4 pieces are required per floor socket outlet

Shorten threaded pin as required

Remarks / Features

- micro retraction distributor for flush ground mounting
- 3×centre punch marks
- for additional holes ø25 mm and 2×centre punch marks for additional holes ø32 mm in bottom part of housing
- Compressed air connection possible (quick-release coupling Series ES DN 7.2, SLW 6, for Ø 8 mm hose)



Levelling feet are only used for setting the floor socket outlet. load capacity / stability is only obtained by backfilling the floor socket outlet with stable material (mortar, concrete...).

✓ From stock, offer subject to prior sale



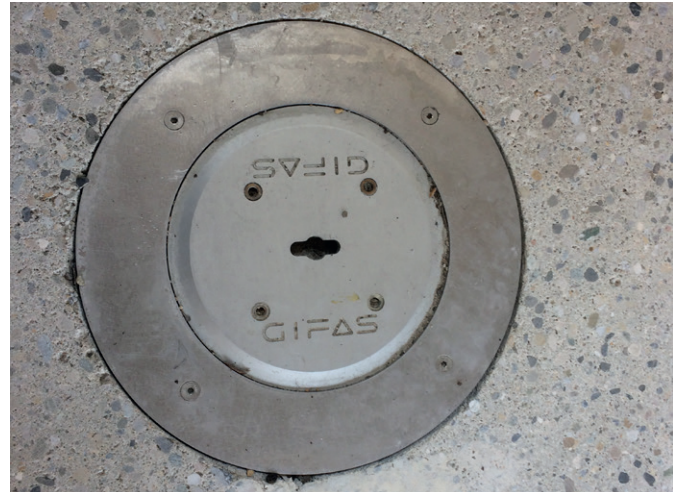
Warehouse



Warehouse



Concrete floor



Concrete floor



Shopping center



Shopping center

GET IN TOUCH WITH US

News about the assortment and specific solutions can be found on our website:

www.gifas.ch

We reserve the right to make technical modifications. V 04/24



GIFAS
ELECTRIC

GIFAS-ELECTRIC GmbH
Dietrichstrasse 2
CH-9424 Rheineck

+41 71 886 44 44
+41 71 886 44 49
info@gifas.ch
www.gifas.ch